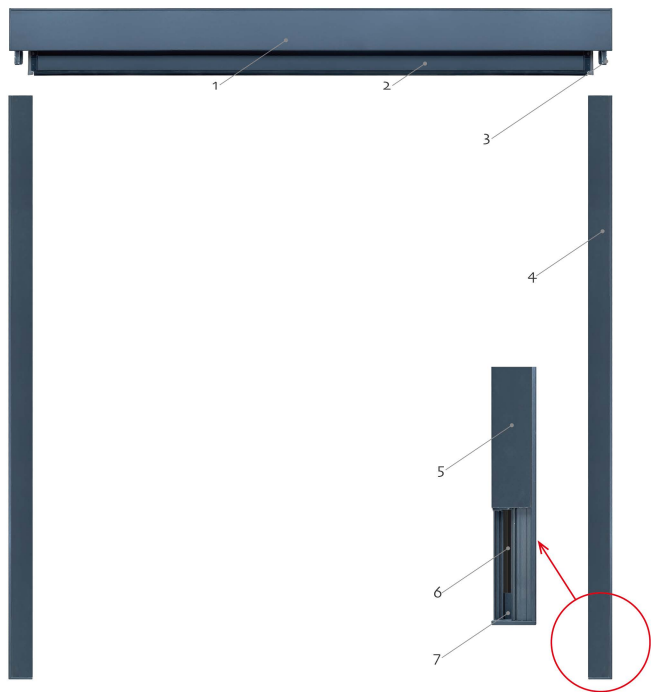




Installation & Usage Instruction
Manual Spring Zip Track Roller Blinds

DESIGN BY HUNTERS

Product Structure



1. Cover

2. Bottom rail

3. Caps

4. Assembly Side track

5. Front track

6. Inner track

7. Back track

Packing list



Finished Manual Zipper roller blinds x1



Assembly Side track x2



Expansion screws x8



screws x8



Instruction x1

Recommended installation tools



Mark Pen



Tap measure



Drill



Screw driver



Level instrument



Cable drilling tool



Rubber hammer



Electric hand drill

Assemble Steps

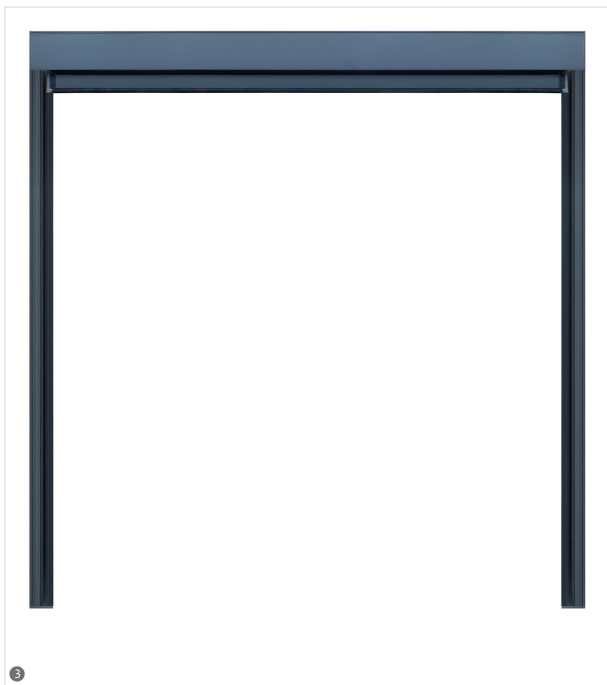
Step 1: Take the front cover of side track off. Then take the inner track for zip out from the outer track.



Step 2: Insert the back of track into the cap of cassette.



Step 3: Preparation is finished after connection both sides of tracks with side caps of cassette.



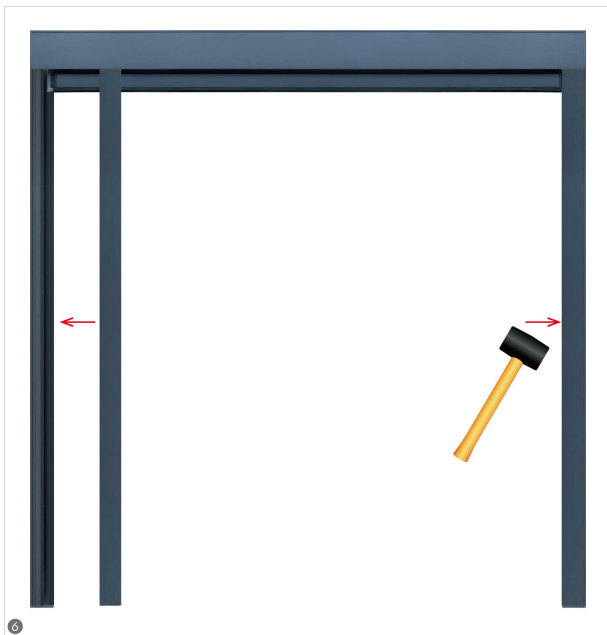
Step 4: Put the assembled blinds into the site where will be installed. To measure the horizontal & vertical position with instruments as all are ok then fix the side track from the predrill hole with screw.

Note: Install the zip roller blinds, 2-4 people needed according the size.

If the install point is in concrete or similar structure, pls put the track into the place and mark with pen then embed with expansion bolt. After these, put the blinds into the space and fix with screw then ok.

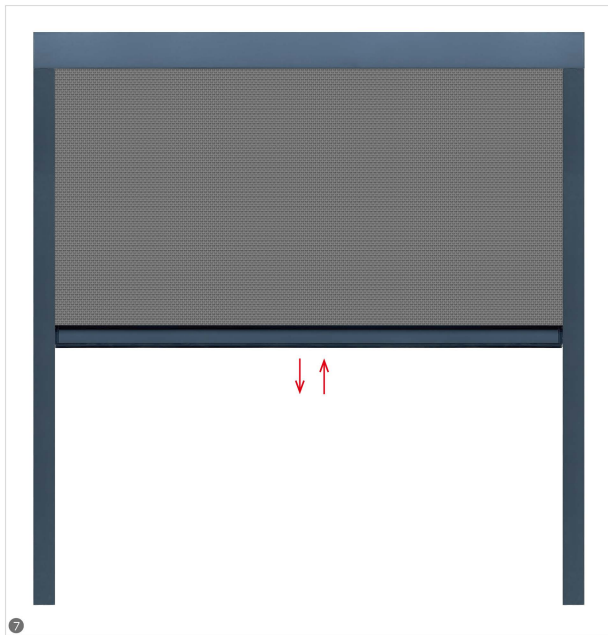


Step 5: Put the inner track for zip into the outer fixed track and make sure the zip of fabric go through the inner track and both sides same operation.



Step 6: Then put the front cover of side track into the side track and hit with rubber hammer from top to down to make sure fit totally.

Step 7: Pull & push the bottom rail up and down to test whether work smoothly or not.
(Note: if no work normally, pls check whether the inner track is blocked by something or also the track is vertical and fit totally)



Step 8: Installation finished.

Disassemble of Roller blinds

- Opposite operation with installation
- Push the roller system backward when loose, then take the blinds off.

Cleaning

- Clean the surface of Aluminum frame parts with wet cloth.
- Fabric could be clean with web cloth or sprayer.
- Pls no use chemical cleaner to clean the blinds such as bleach etc.

Integrity / Quality / Professional / Service



Tianjin Hunters Technology Co., Ltd

📍 No.6 building, Changqingteng Art & Industrial Park, No.10 Caizhi Road,
Jingwu town, Xiqing District, Tianjin, China. Post code: 300392

☎ +86 22 23982209

📠 +86 15922294041

✉ laura001@aliyun.com