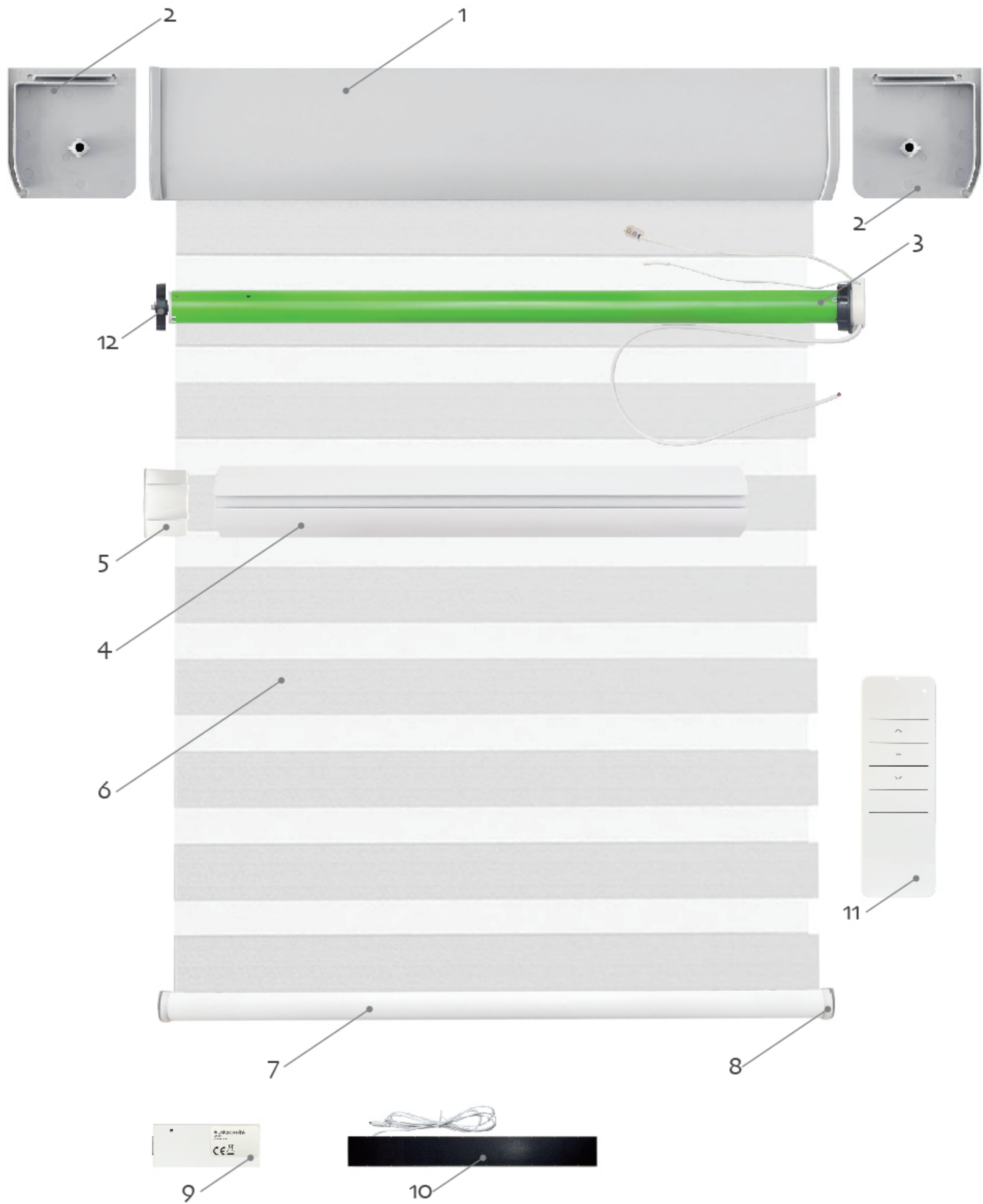


Installation & Usage Instruction  
Motorized Zebra Roller Blinds Series

DESIGN BY HUNTERS

# Product Structure



- 1. Cassette
- 2. Caps
- 3. Motor
- 4. Tube

- 5. Stopper
- 6. Fabric
- 7. Bottom rail
- 8. Bottom rail caps

- 9. Tuya/Zigbee controller
- 10. Solar board
- 11. Remote
- 12. Wheel

## Packing list



Finished Roller Blinds x1



Bracket x2



Expansion screws x4



Instruction x1

## Recommended installation tools



Mark Pen



Tap measure



Drill



Screw driver



Level instrument



Cable drilling tool



Rubber hammer



Electric hand drill

## Installation Methods



Ceiling Mount



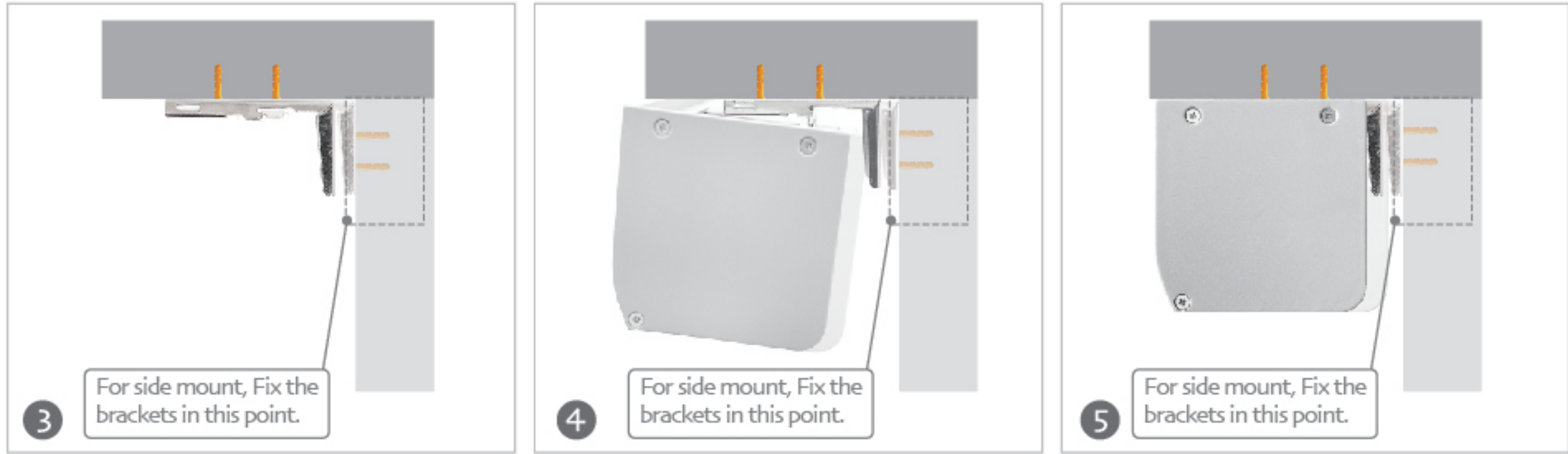
Side Wall Mount

## Installing Steps

Step 1: Make sure the wall material such as wooden, concrete or brick etc. Measure the distance of mounting brackets and mark the point of mounting. Advise the point around 60-70mm from side wall.

Step 2: If the wall is wooden then could use the drill fix the screws. If the wall is in concrete or brick-concrete, then need use cable drilling tool make hole firstly then put into the expansion with rubber hammer.

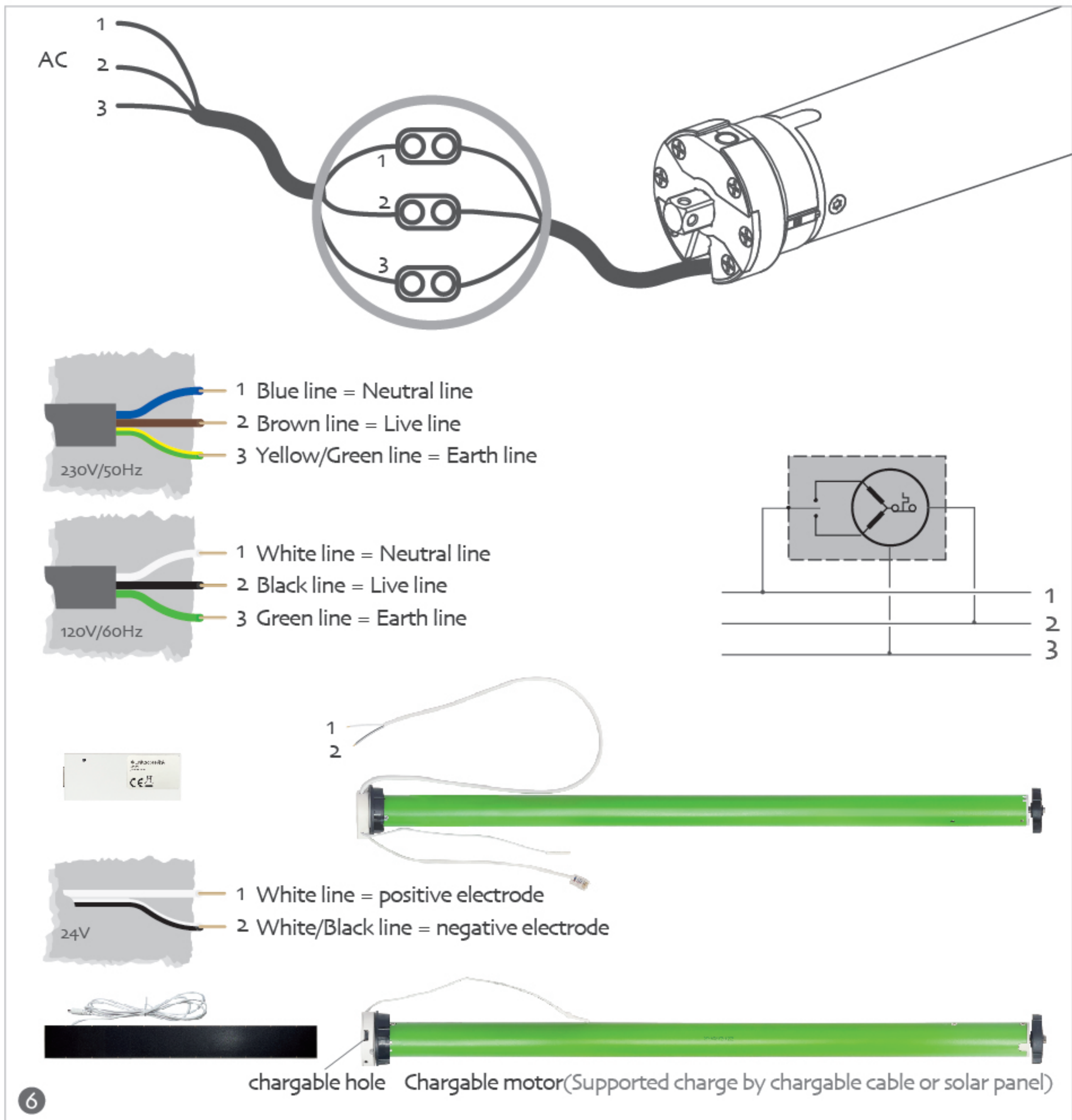




Step 3: Fix the mounting brackets with screws.

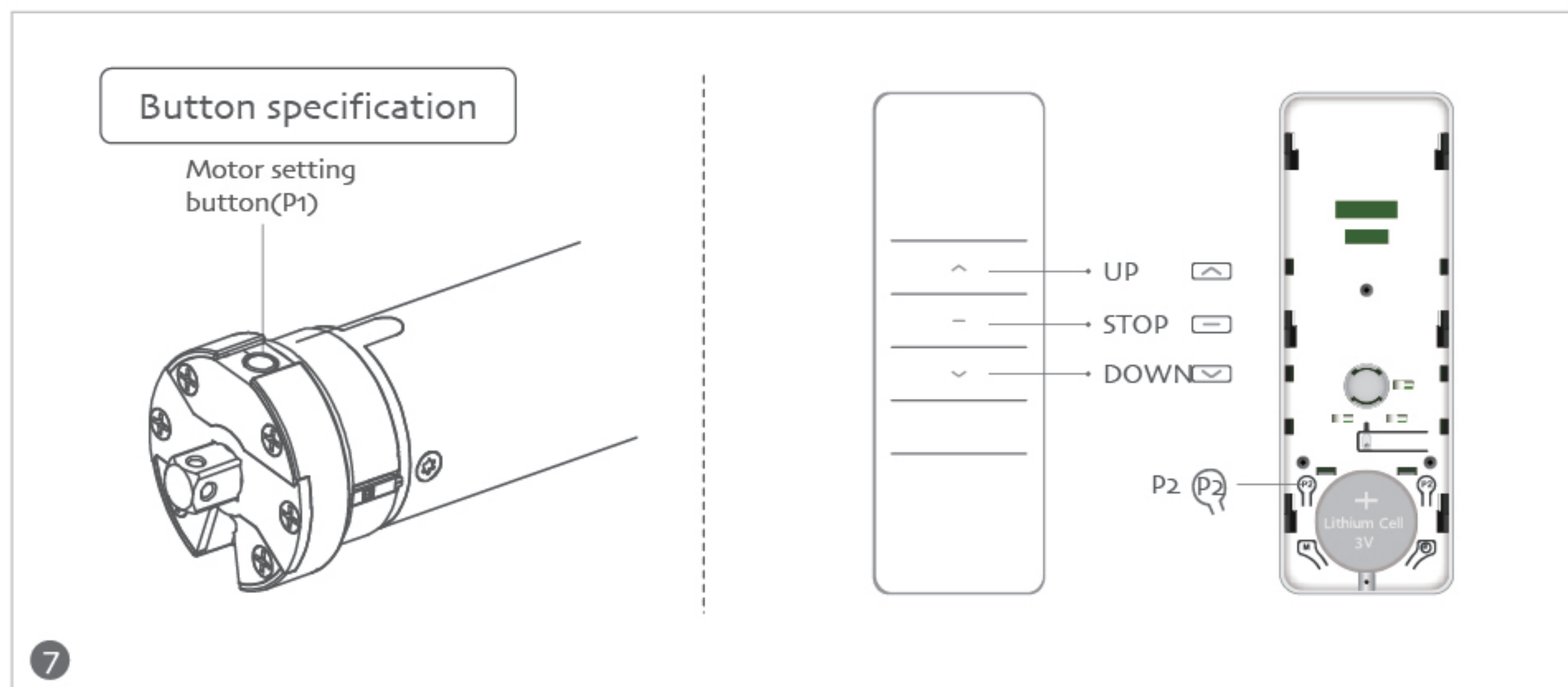
Step 4: Put the roller blinds hang into the brackets as pic.

Step 5: Push the top of cassette and you hear sound of click then the brackets inserted into the top of cassette.



## Step 6: Wire Connection

- (1) Confirm the Voltage. Currently we supply model is: 220-240V, 110-120V, 12/24V;
- (2) If in 220-240V as pic 6, the blue wire connect neutral line, Brown wire connect live line, yellow& green wire connect the earth line.
- (3) If in 110-120V as pic 6, white wire connect neutral line, black wire connect live line and green wire connect earth line.
- (4) If in 12/24V as pic 6, white wire connect positive electrode, white and black wire connect negative electrode.
- (5) If need connect with ZigBee or Tuya controller, then insert the registered jack into the relative controller mode.

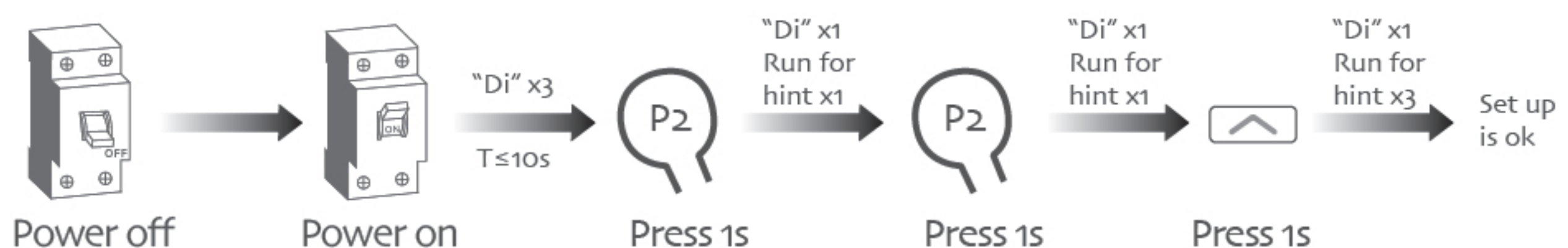


## Step 7: Remote set

Remotes is paired as production, if need reset and pls operate as the below way or contact with service for more details.

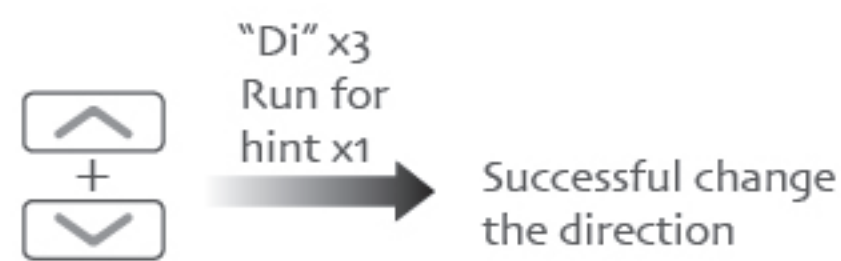
### (1)Setting up P2→P2→Up

If you want to change the direction of rotation, please do the reverse of direction setting (See the motor P1 button operation).



Note: Power down again on the electricity, no code when the motor "Di~" once, and the motor run for hint once.

(2)The reverse of direction setting (Up+ Down) x2s



Press 2s

Note: This setting must be carried out without limit.

Step 8: Finish Installation.

## Disassemble of Zebra Roller blinds

- Opposite operation with installation
- Use slotted screwdriver insert into the black spring shaft then it bounce back. the blinds loose then take the blinds off.

## Cleaning

- Clean the surface of Aluminum frame parts with wet cloth.
- it could be clean with web cloth or brush to clean. If for soft fabric, advise to use small dust collector to clean the surface then ok.
- Pls no put the blinds into washing machine to clean.
- Pls no use chemical cleaner to clean the blinds such as bleach etc.

## Fault and solution

Number	Phenomenon	Reason	Processing method
1	Motor can't running	a, The motor enters thermal protection. b, The emitter is not matched. c, If long press the set button,the motor still don't run, power short-circuit, circuit board bad or motor bad.	a, When motor is cooled b, Set up again c, Contact after-sales service

Integrity / Quality / Professional / Service



Tianjin Hunters Technology Co., Ltd

📍 No.6 building, Changqingteng Art & Industrial Park, No.10 Caizhi Road,  
Jingwu town, Xiqing District, Tianjin, China. Post code: 300392

☎ +86 22 23982209

📞 +86 15922294041

✉ laura001@aliyun.com